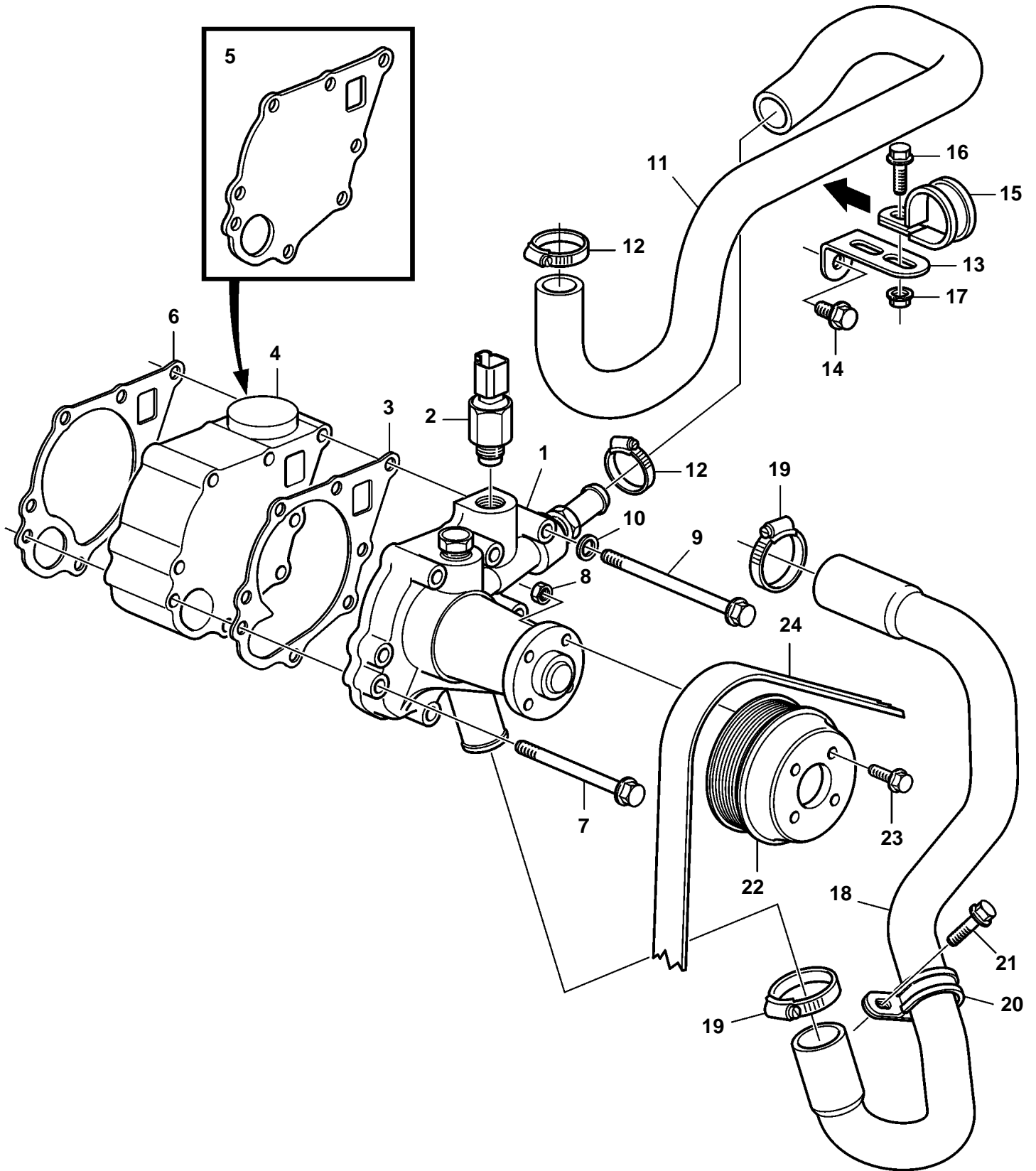


D1-13, D1-20



22902

D1-13, D1-20

REF	PART NO.	QTY	DESCRIPTION	SEE SEC.	NOTES
1	3808609	1	Circulation pump		
	3803970	1	Circ. pump, exch		Exchange unit
	3803970	1	Circ. pump, exch		
2	3808797	1	Thermo monitor		
3	3580003	1	Gasket		
4		1			D1-13
5	3887172	1	Plate		D1-20
6	3580001	1	Gasket		
7	861899	3	Flange screw		D1-13
	3580258	3	Screw		D1-20
8	945407	1	Flange nut		
9	20405647	4	Screw		D1-13
	3580243	4	Screw		
10	861913	4	Spring washer		D1-13
11	3842034	1	Hose		Water pump - Expansion tank.
12	943472	2	Hose clamp		
13	965555	1	Bracket		
14	946025	1	Screw		
15	952634	1	Clamp		
16	946544	1	Flange screw		
17	945407	1	Flange nut		
18	3818594	1	Hose		Water pump - Heat Exchanger.
19	943474	2	Hose clamp		
20	952636	1	Clamp		
21	946934	1	Flange screw		
22	3812146	1	Pulley		
23	3580013	4	Screw		
24		1	Drive belt	8355	